

we
are
arco

we
make
tables

arco

product
Essenza XL

designer
Willem van Ast

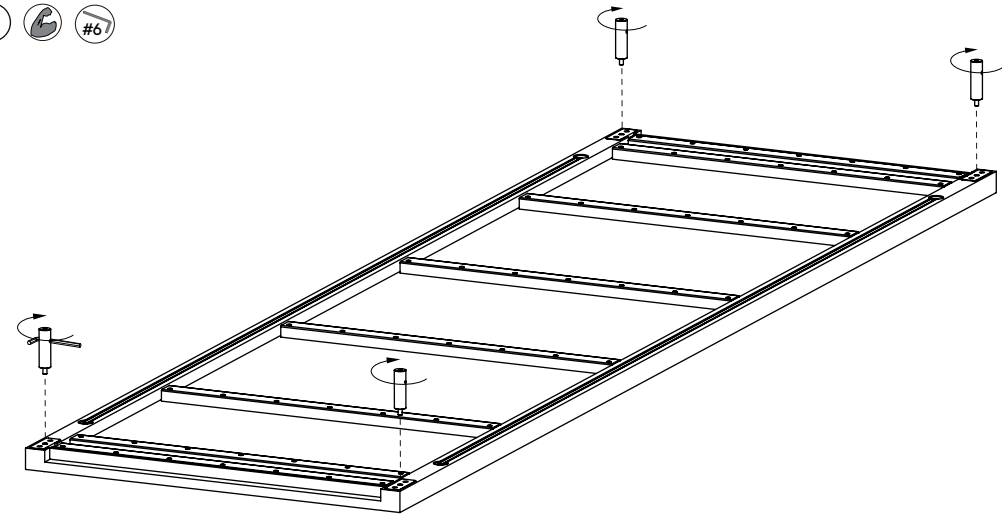
Year
2017

Assembly
instructions

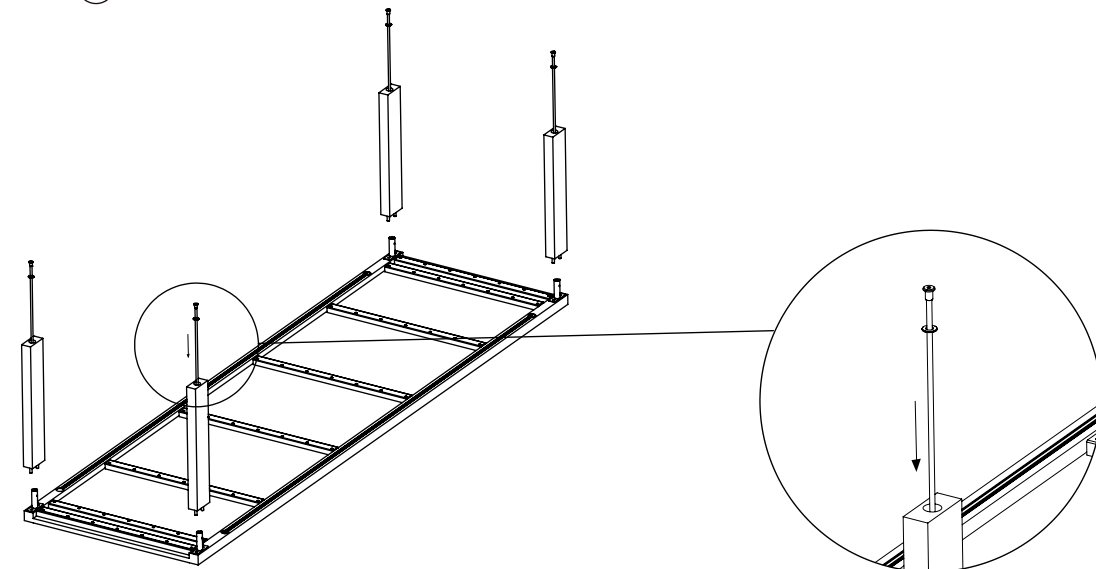
Please follow step 1 - 6.



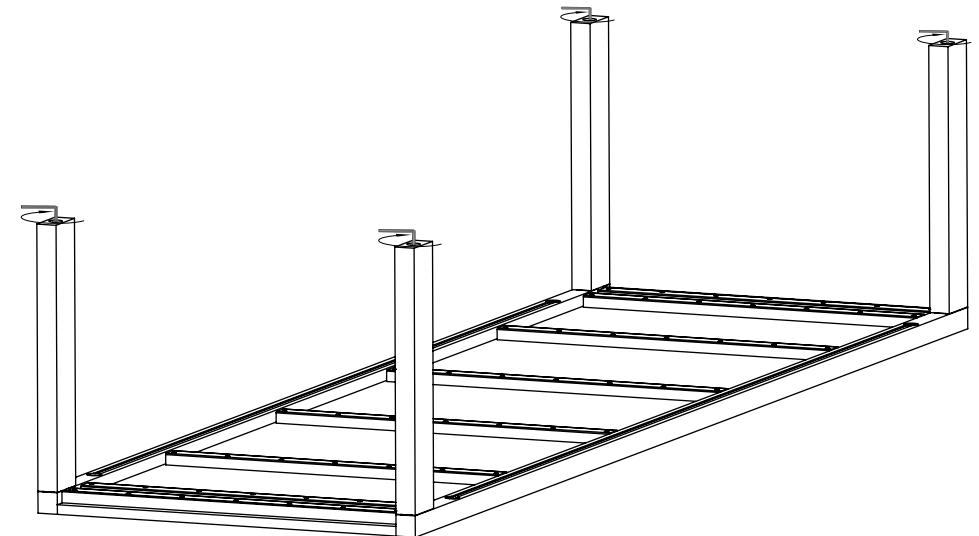
①  



②

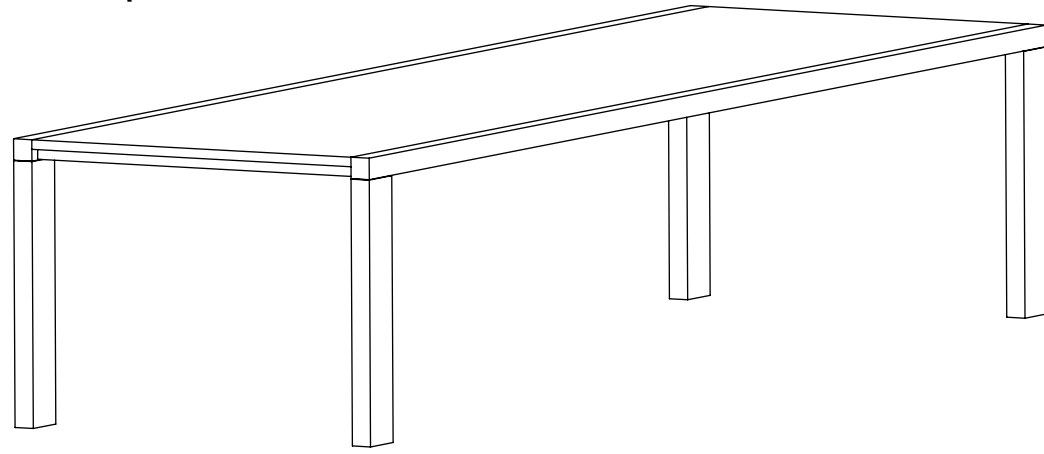


③ 



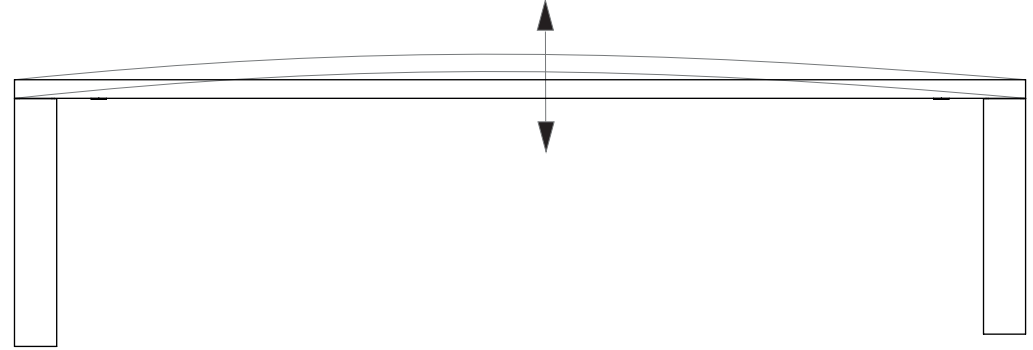
4

Turn over with minimal
4 persons

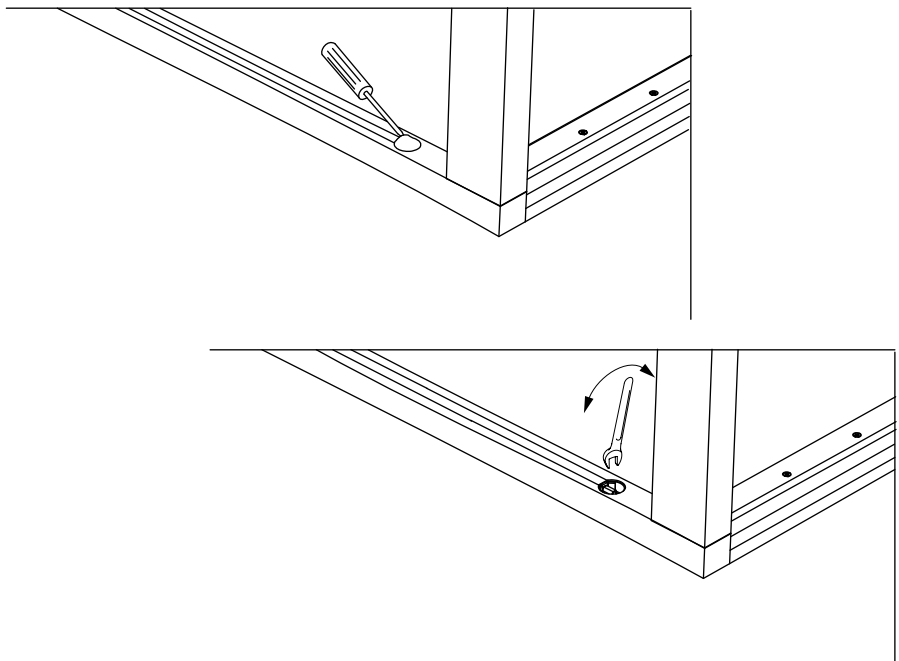


5

Instructions to correct the evenness of the table-top.
Can be corrected on two sides by means of tightening the sludge.
As a result of tightening this sludge, the table-top will "swell" a little.



6



7